

icanCLAVE[®]

Focus On Autoclave



D18 Pro, D23 Pro

Bclass

About ICANCLAVE D Pro

ICANCLAVE model D Pro steam sterilizers continues the thorough, stable and durable performance characteristics of ICANCLAVE model D, and at the same time upgrade the the original normal LCD screen and traditional button membrane to a 4.3-inch color LCD screen and glass backlight touch buttons, which are more simple and fashionable in appearance and more in line with the contemporary aesthetic requirements.

Modle D Pro adds "Delay Start" and "Descal" new function on the basis of the Model D sterilizer, which brings a richer application to the user experience of the sterilizer for medical and health practitioners.



Efficiency

Utilisation of an intelligent systems and high performance components (such as instantaneous steam generator and high effecient vacuum pump), which provide a fast sterilization cycle.



Multi protection

Utilizers mechanical and electronic safety mechanisms for pressure & temperature overload protection and safety door locking system.



Optional internal printer

Allows sterilization cycle reports simply printed on thermal paper afeter cycle end.



Delay Start

The delay start function allows the user to shedule a sterilization or test cycle at a specific time and date.



Reliability and safety

Full compliance with the European sterilizer standard and certified quality. Ensure a completed safety sterilization result.



For any load type

Class B steam sterilizer can be used steriize any load, such as the instruments of hollow, porous or solid.



Data export

Standard equipped with an internal memory able to store 10000+ cycles, and the cycle reports can be automatically saved via the USB driver.

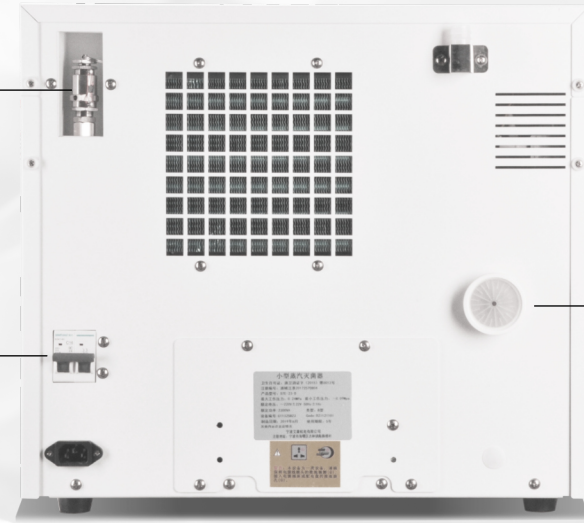


Descal

Smart descale cycle included, which can automatically clean the pipline together with descale powder or liquid.



safety valve



bacteria filter

circuit breaker

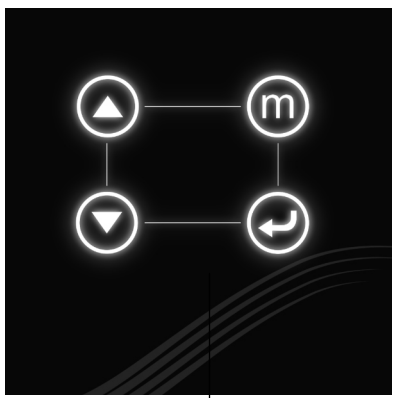
safety lock

flash water tank

stainless steel chamber

USB port printer

4.3" color display screen



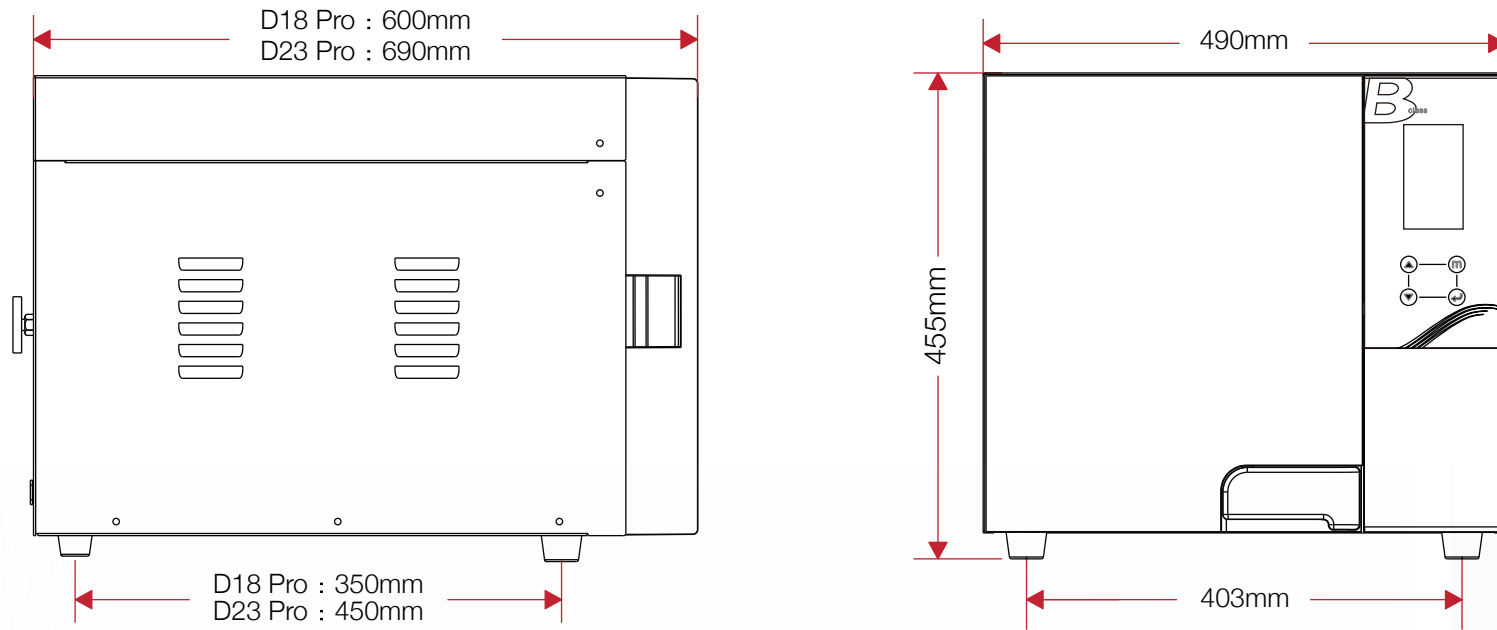
water filter

draining connector for used water tank

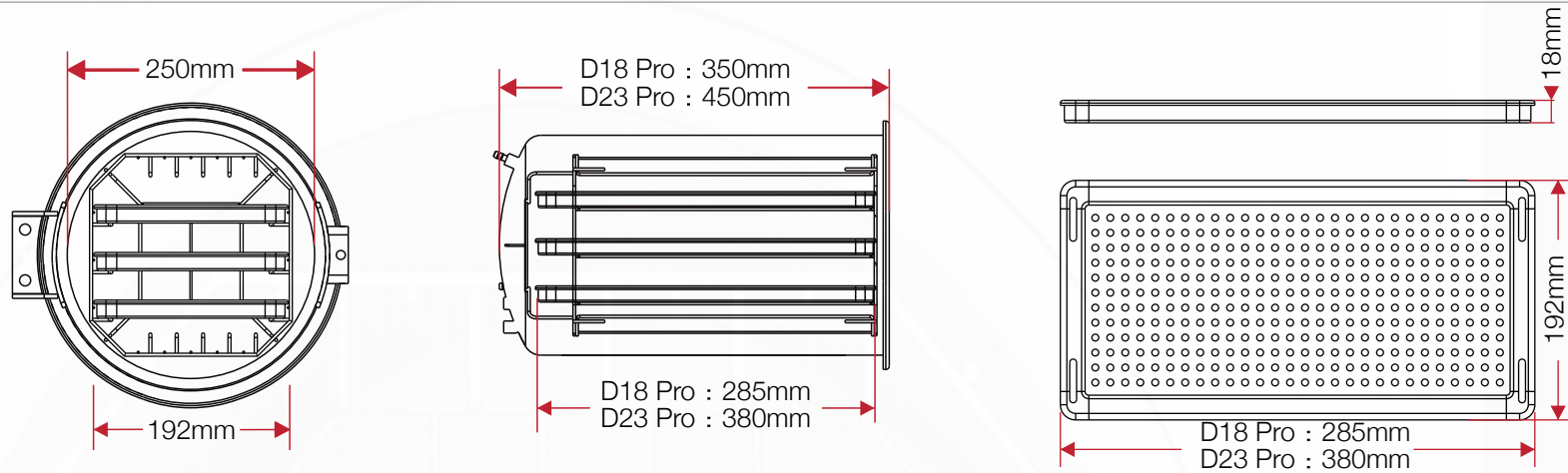
draining connector for flash water tank

glass touch button with back light

Overall Dimension



Rack & Trays Dimension



Technical parameters

Order Code	Model	Rated Power	Chamber Size
D18 Pro	STE-18-D Pro	1750W	Φ250x350mm
D23 Pro	STE-23-D Pro	1750W	Φ250x450mm



Sterilization Cycles

Program	Temp. / Pressure	Steri. Time	Suitable For		D18 Pro	D23 Pro
Solid 134°C	134°C/210Kpa	4min*	unwrapped solid instruments, unwrapped simple hollow instruments.	Cycle Time* Drying Time* Load(Max)	15~30min 4min 4.5kg	25~45kg 4min 5kg
Wrapped 134°C	134°C/210Kpa	4min*	Mixed load, Single wrapped solid instruments, Single hollow instruments.	Cycle Time* Drying Time* Load(Max)	30 ~ 49min 15min 4.5kg	38 ~ 57min 15min 5kg
Wrapped 121°C	121°C/110Kpa	20min*	Mixed load, Single wrapped solid instruments, Single hollow instruments.	Cycle Time* Drying Time* Load(Max)	38 ~ 54min 15min 4.5kg	46 ~ 62min 15min 5kg
Prion 134°C	134°C/210Kpa	18min*	Multiple wrapped instruments, Textiles, danger of infection instruments.	Cycle Time* Drying Time* Load(Max) Load Textile(Max)	37 ~ 52min 15min 4.5kg 1kg	45 ~ 60min 15min 5kg 1.2kg

*In addition to the above sterilization procedures, there are three tests: B&D test, Helix test and Vacuum test.

*The cycle time is based on the load and with/without pre-heating.

*Drying time can be adjusted.

